



Opening Direction	Item Name	Description	Non-handed	Maximum Door Moment
 Top-opening	GS-S-YT01	Side Mount	-	Max. 2.94 N · m/pc (Max. 30 kgf · cm/pc)
	GS-S-YT02			Max. 3.92 N · m/pc (Max. 40 kgf · cm/pc)
	GS-S-YT01S	Back Panel Mount	Yes	Max. 2.94 N · m/pc (Max. 30 kgf · cm/pc)
	GS-S-YT02S			Max. 3.92 N · m/pc (Max. 40 kgf · cm/pc)

- Lid can be opened with a small force and held in fully opened position.
- Can choose from 2 types of spring tension depending on lid weight.
- Two installation types (side mount and back panel mount) are available, while side mount is divided into left side installation and right side installation.
- Body and spring are made of stainless steel (SUS304), suitable for corrosive environments.
- Plastic parts and metal parts can be easily separated.

**[Remarks]**

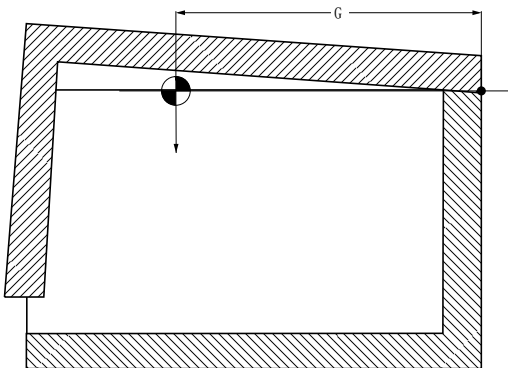
- Be sure to read the "Cautions"
- Do not open the lid above the opening angle.
- Spring tension may vary over time.
- Do not use with concealed hinges (multiaxial hinges).

**[Calculation of Maximum Door Moment ]**

Maximum door moment (N · m) = Door weight (kg) × 9.80665 × Distance from rotation centre to door centre of gravity G (m)

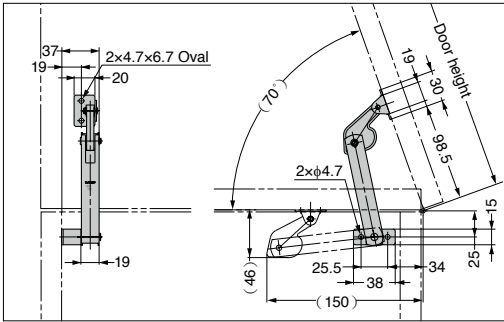
**[Remarks]**

- Since door moment varies depending on installation position, opening angle and centre-of-gravity position, the calculation result is only for reference in selection.
- Be sure to conduct verification before use.



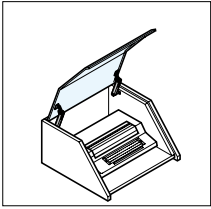
# LIFT ASSIST STAY GS-S-YT Side Mount

SUS

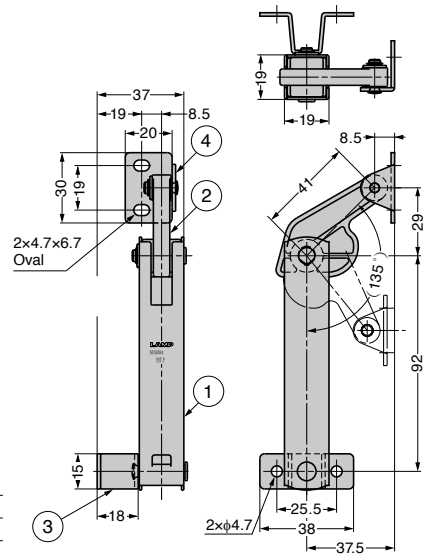


Installation for 70° opening (Left-handed)  
Opening up to about 80° by changing installation position.

## [Application Example]



No.	Part Name	Material	Finish/Colour
①	Body	Stainless Steel (SUS304)	Barrel Polished
②	Arm	POM	Black
③	Case Bracket (For Side Board)	Stainless Steel	Barrel Polished
④	Arm Bracket	(SUS304)	



Left-handed type shown.

Item Name	Type	Spring Tension	Maximum Door Moment N · m/pc	Maximum Door Moment kgf · cm/pc	Weight (g)
GS-S-YT01R	Right-handed	Soft	Max. 2.94	Max. 30	130
GS-S-YT01L	Left-handed				123
GS-S-YT02R	Right-handed	Hard	Max. 3.92	Max. 40	130
GS-S-YT02L	Left-handed				130